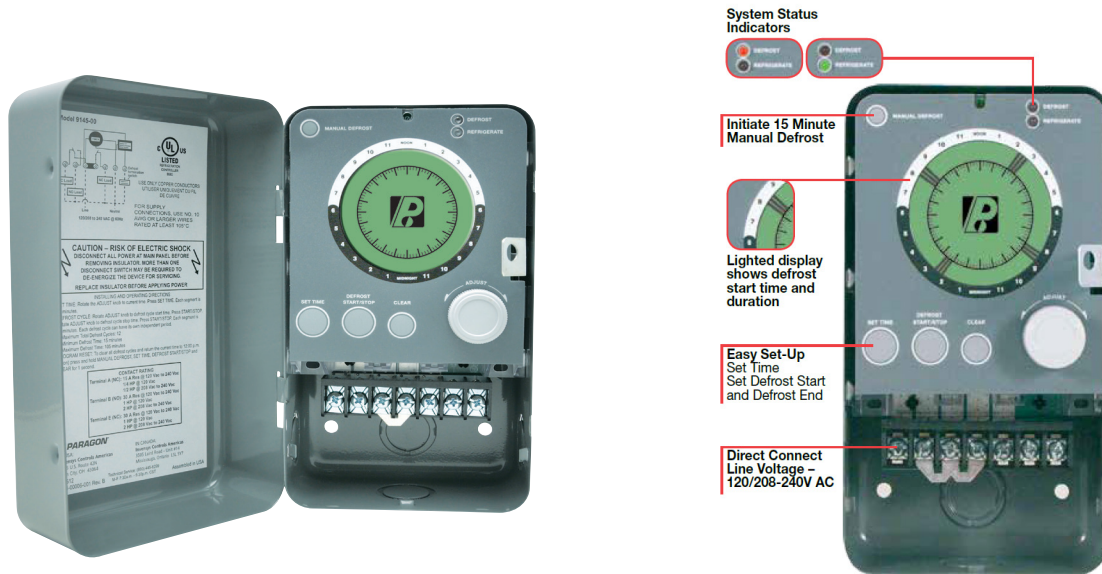


9145 / 9045 Series

Universal Defrost Timers



Description

The Paragon® 9045-00 and 9145-00 Universal Defrost Timers are the only multi-voltage defrost timers engineered to refrigeration standards. At four defrosts per day, the Paragon Universal Defrost Timer switches last 16 years longer than competitive offerings.

Features and Benefits

- Certified to UL873 Standard for Temperature-Indicating and Regulating Equipment, as Refrigeration Controllers
- Wires directly to 120V AC, 208V AC or
- 230V AC power sources without jumpers or switches
- Easy programming, easy set-up, set time, set defrost start and defrost end
- Initiate 15 minute manual defrost
- 100 hours of power loss protection for both time and defrost schedule
- Display shows defrost start time and duration
- Real-time clock
- Lighted display
- System status indicators
- Mechanism-only versions designed to fit in the standard Paragon enclosures

Ordering Information

- | | |
|----------|--|
| 9145-00 | Time Initiate/Temperature, Pressure Terminate Defrost Timer with Metal Enclosure |
| 9145-00M | Time Initiate/Temperature, Pressure Terminate Defrost Timer – Mechanism Only |
| 9045-00 | Time Initiate/Time Terminate Defrost Timer with Metal Enclosure |
| 9045-00M | Time Initiate/Time Terminate Defrost Timer – Mechanism Only |

1 Year
Limited
Warranty

Robertshaw
RANCO • PARAGON • CASTFUTURA

Customer Service
+1 800 304 6563
HVACCustomerService
@robertshaw.com

Technical Service
+1 800 445 8299
TechnicalService
@robertshaw.com

www.robertshaw.com
©2024 Robertshaw
05/24 150-1893 RevH

Specifications

Input Power:

120/208-240 VAC 50/60 Hz (+10, -15%)

Power Consumption:

6VA max, Defrost termination switch (terminal "G") input impedance to terminal C: 85kΩ +/- 5%

Operating Voltage:

102 VAC min to 132 VAC max @ 50/60 Hz 176.8 VAC min to 264 VAC max @ 50/60Hz

NOTE: No user-required adjustments to switch between the high and low voltage.

Ambient Operating Conditions:

-40°F to 131°F (-40°C to 55°C); 0 to 95% RH (non-condensing)

Storage Temperature:

-40°F to 140°F (-40°C to 60°C)

Outside Dimensions:

Individual unit: 4.40"W x 7.82"H x 3.80" (112 mmW x 200 mmH x 96 mmD)

Individual unit in shipping carton: 4.75"W x 8.875"H x 4.75"D (120 mmW x 225mmH x 120 mmD)

Individual Case Shipping Weight:

3.2 lbs (1.45kg)

The devices are listed as Refrigeration Controllers.

9145 Terminal Data*

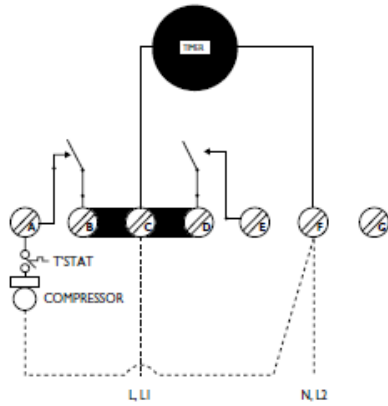
Terminal	A	B	C	D	E	F	G
Relay Contact	SPDT NC Contact	SPDT NO Contact	SPDT COMM Contact	SPDT NO Contact	SPST COMM contact	L2/N Power in to timer	Defrost Termination Device Input L2/N side
Relay Rating	15A resistive @ 120 VAC to 240 VAC 1/4HP @ 120 VAC, 1/2HP @ 208 VAC to 240 VAC	30A resistive @ 120 VAC to 240 VAC 1HP @ 120 VAC, 2HP @ 208 VAC to 240 VAC			30A resistive @ 120 VAC to 240 VAC 1HP @ 120 VAC, 2HP @ 208 VAC to 240 VAC		
Device Connections	Fan (Typical) Compressor (Optional)	Defrost Device (Typical)	L1 Power to timer and to Defrost Termination Device		Compressor (Typical) Fan (Optional)		Defrost Termination Switch

9045 Terminal Data

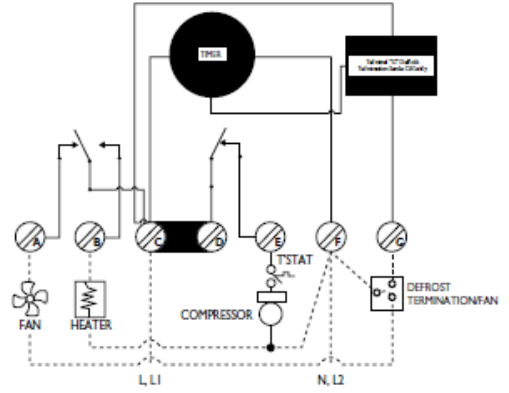
Terminal	A	B	C	D	E	F	G
Relay Contact	SPST #1 NC Contact	SPST #1 COMM Contact	L1 Power in to timer	SPST #2 NO Contact	SPST #2 COMM Contact	L2/N Power in to timer	No Connection
Relay Rating	30A resistive @ 120 VAC to 240 VAC 1HP @ 120 VAC, 2HP @ 208 VAC to 240 VAC				30A resistive @ 120 VAC to 240 VAC 1HP @ 120 VAC, 2HP @ 208 VAC to 240 VAC		
Device Connections	Compressor (Typical)				Defrost Drive (Typical)		

Applications and Wiring Diagrams

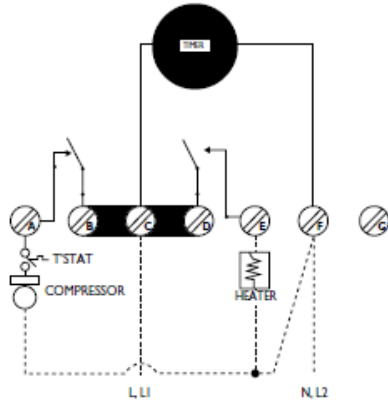
9045
AIR
DEFROST
 Time
 Initiated
 Time
 Terminated



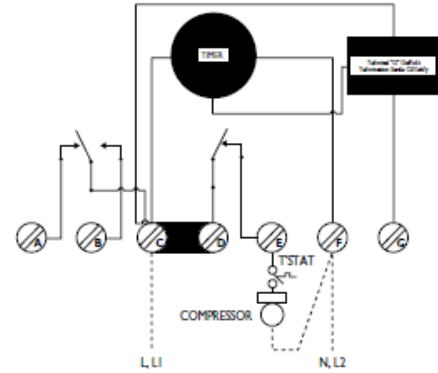
9145
ELECTRIC
DEFROST
 Time
 Initiated
 Temperature
 Terminated



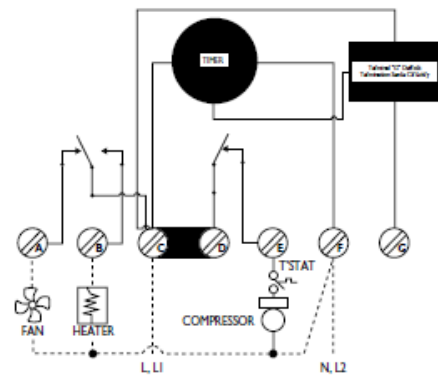
9045
ELECTRIC
DEFROST
 Time
 Initiated
 Time
 Terminated



9145
AIR
DEFROST
 Time
 Initiated
 Time
 Terminated

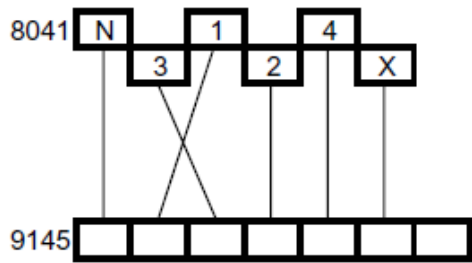


9145
ELECTRIC
DEFROST
 Time
 Initiated
 Time
 Terminated

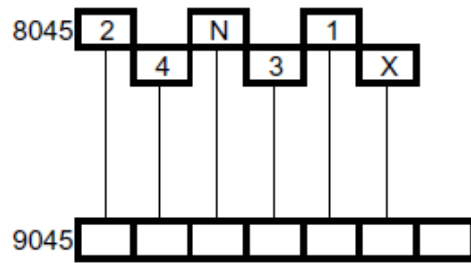


Conversion Diagrams for Paragon Mechanical Controls

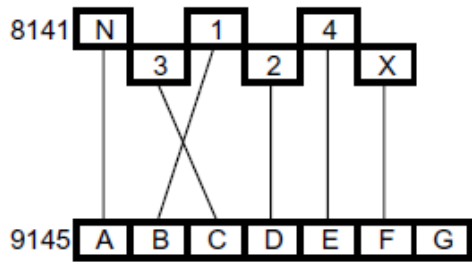
Convert 8041 to 9145



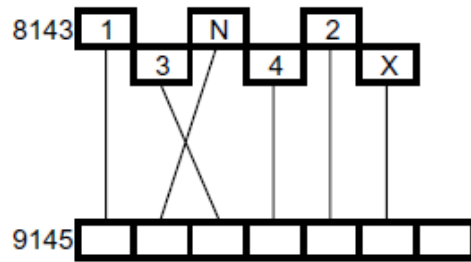
Convert 8045 to 9045



Convert 8141 to 9145



Convert 8143 to 9145



Convert 8145 to 9145

