

Robertshaw®

GS SERIES GAS 4290 SERIES THERMOSTATS



The Robertshaw® GS thermostat is a snap-acting hydraulic thermostat and is used to provide temperature control by interrupting gas flow to the burner. The GS gas thermostat is available for a wide variety of applications including small ovens, griddles, brooders, warming cabinets and fryers.

Features and Benefits

- Available in various temperature ranges, with temperature control up to 600°F (316°C)
- Snap-acting from OFF position to full gas flow
- Adjustable bypass key and bypass settings are optional
- Adequate capacity and small size for counter top appliances
- Applicable to use with high capacity gas operated diaphragm valves
- Adapts to limited mounting space
- Bulb and capillary assemblies supplied in copper, nickel plated copper, or stainless steel
- Dials in heat resistant plastic are available
- Available with main burner bypass or pilot outlet

Specifications

- Ambient temperature: 32°F to 300°F (0°C to 93°C)
- Maximum inlet pressure: 0.5 PSI
- Capacity (Natural Gas):
 - 3/8" pipe in and out 30,000 BTU/HR
 - 7/16" tubing in and out 30,000 BTU/HR
 - 1/4" tubing in and out 9,000 BTU/HR
- Agency Certification Numbers:
 - CSA 164327-1195957
 - BSi EN 257 (1992)
 - CE Certification applies only to GSE models
 - Certification EC 87/96/11/MS (2009)
 - CE 0086

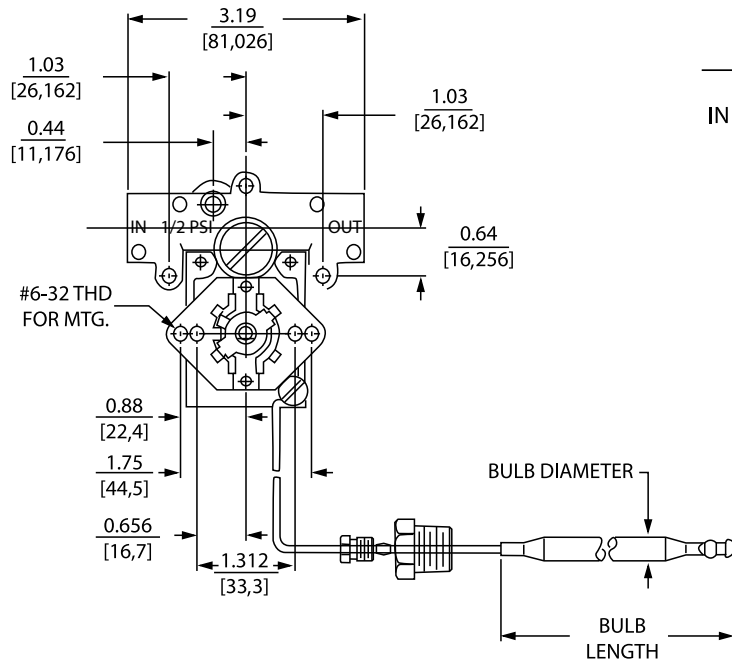


An ISO 9001 – 2008 Certified Company

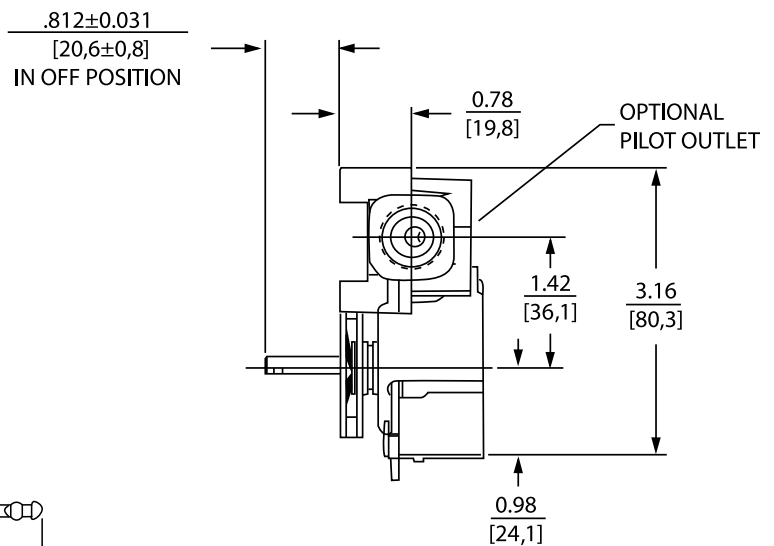
PRODUCT DIMENSIONS

Dimensions are inches and [millimeters].

GS Front View



GS Right View



Available Bulb Diameters

| | | | | |
|---------------|--------|-------|-------|-------|
| inches | 0.187* | 0.250 | 0.312 | 0.375 |
| [millimeters] | 4,8 | 6,4 | 7,9 | 9,5 |

* Most common diameter