

# Robertshaw®

## FD SERIES      GAS 4200 SERIES    THERMOSTATS



The Robertshaw® FD series features heavy duty, high capacity gas thermostats. These units are available with modulating only or with modulating snap-acting bypass. Both pilot and bypass adjustments are provided. Pilot outlets and customized settings are optional. Available for a wide variety of applications including typical applications such as deck ovens, convection ovens, baking ovens, and ranges.

### Features and Benefits

- Available in various temperature ranges, with temperature control up to 650°F (343°C)
- Heat resistant materials and rugged design
- Front adjustment
- The pilot and bypass keys are accessible and the pilot and keys are slotted for easy adjustment from the front of the control
- Provides temperature control on most gas appliance systems
- Allows for low temperature control
- Modulates the main gas supply and controls the bypass gas with a snap under the same thermostatic action
- Bulb and capillary assemblies supplied in copper, nickel plated copper or steel
- Heat resistant plastic dials available in black with white characters
- RoHS Compliant

### Specifications

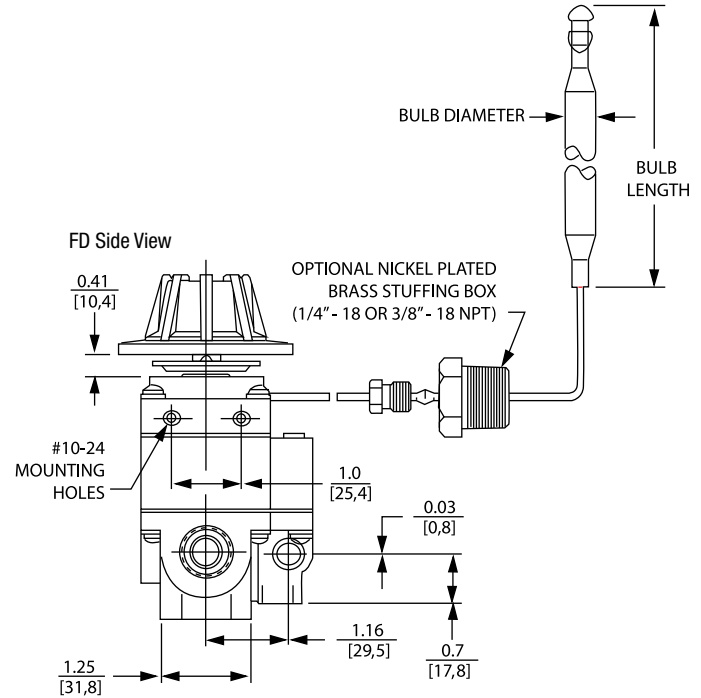
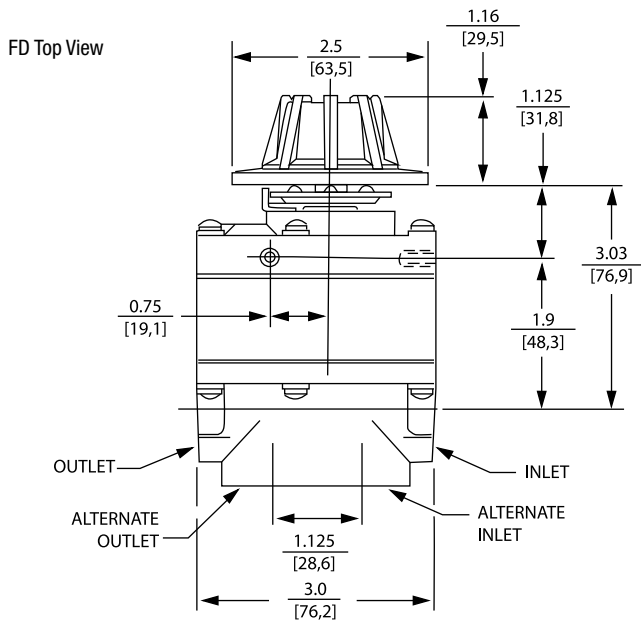
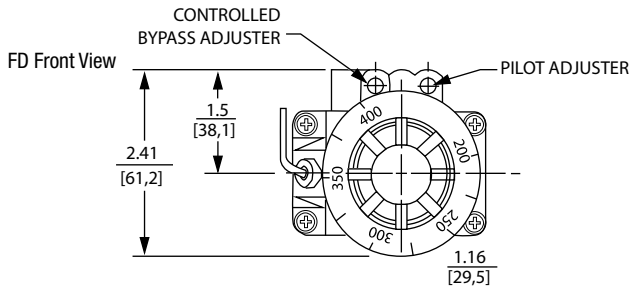
- Ambient temperature: 32°F to 350°F (0°C to 177°C)
- Maximum inlet pressure: 0.5 PSI
- Capacity (Natural Gas):
  - 3/8" pipe in and out 100,000 BTU/HR
  - 1/2" pipe in and out 100,000 BTU/HR
  - 7/16" tubing in and out 100,000 BTU/HR
- Agency Certification Numbers:
  - CSA 164327-1195899
  - Versions available with BSi EN 257
  - BSi Certificate# EC-87/96/61/M5 2009)
  - CE Certification applies only to FDT0E, FDTHE and FDTSE models



An ISO 9001 – 2008 Certified Company

### PRODUCT DIMENSIONS

Dimensions are inches and [millimeters].



### Available Bulb Diameters

<b>inches</b>	0.187*	0.250	0.312	0.375
<b>[millimeters]</b>	4,8	6,4	7,9	9,5

\* Most common diameter

### Model General Description

FDO	Modulating with snap bypass - 550°F (288°C) max. setpoint
FDTO	Modulating - 550°F (288°C) max. setpoint
FDH	Modulating with snap bypass - 650°F (343°C) max. setpoint
FDTH	Modulating - 650°F (343°C) max. setpoint
FDL	Modulating with snap bypass - Liquid immersion sensor
FDS	Modulating with snap bypass - Surface contact sensor
FDS	Modulating - Surface contact sensor