



DW-003

The Robertshaw® S-101 Water Valve Series is a single solenoid valve for dishwashing machines, coffee brewers, cappuccino machines and tea brewers.

Features and Benefits

- Pilot-operated diaphragm provides high flow capacity with minimum power requirements
- Encapsulated coil provides high mechanical and dielectric strength, and is moisture resistant
- Bodies are made of polypro to withstand a variety of harsh water conditions
- Suitable for applications using water at temperatures up to 160°F (71°C)

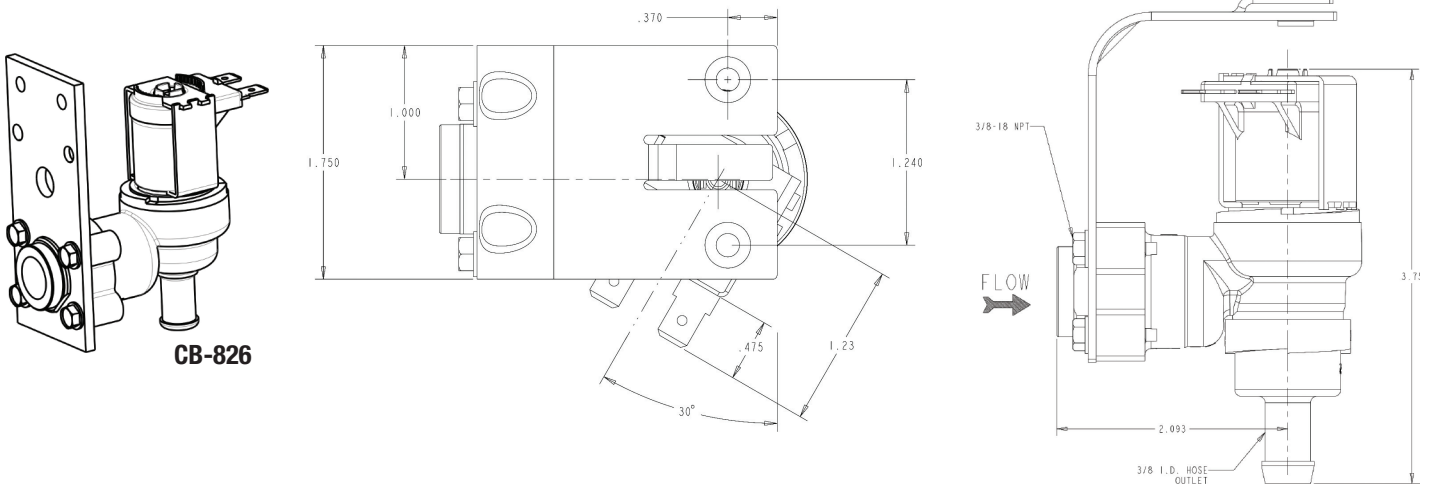
REPLACEMENT INFORMATION

Part Numbers	Replaces	Factory Number
CB-826	Wilbur Curtis WC826L	K-78117
DW-003	GE WD15X10003 GE 165D5792G001	K-78325
DW-101	Electrolux 154476101	K-76076-1
DW-249	Maytag 6918249	K-75634
DW-345	Whirlpool 8283345	K-74396
DW-534	Whirlpool 6920534	K-76466

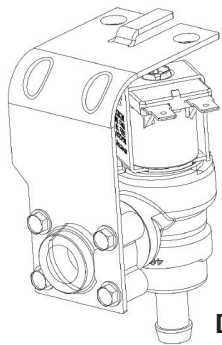
SPECIFICATIONS

Part Numbers	Description	Flow Rate	Inlet	Outlet	Operating Pressure	Terminals	Body Material	Electrical Rating	Power
CB-826	Commercial Coffee Brewer Water Valve S-101	1.00 GPM to 1.30 GPM	3/8" 18 NPT	3/8" ID Hose	20 PSI to 120 PSI	1/4" Male	Polypro	120V AC 50/60 Hz	5 Watts
DW-003	Residential Dishwasher Water Valve S-101	1.55 GPM to 2.05 GPM	3/8" 18 NPT	3/8" ID Hose	20 PSI to 120 PSI	1/4" Male	Polypro	120V AC 60 Hz	5 Watts
DW-101	Residential Dishwasher Water Valve S-101	0.83 GPM	3/8" 18 NPT	3/8" ID Hose	20 PSI to 120 PSI	1/4" Male	Polypro	120V AC 50/60 Hz	5 Watts
DW-249	Residential Dishwasher Water Valve S-101	1.13 GPM	3/8" 18 FNPT	3/8" ID Hose	20 PSI to 120 PSI	1/4" Male	Polypro	120V AC 60 Hz	5 Watts
DW-345	Residential Dishwasher Water Valve S-101	1.08 GPM	3/8" 18 NPT	3/8" ID Hose	20 PSI to 120 PSI	1/4" Male	Polypro	120V AC 50/60 Hz	5 Watts
DW-534	Residential Dishwasher Water Valve S-101	1.13 GPM	3/8" 18 NPT	3/8" ID Hose	20 PSI to 120 PSI	1/4" Male	Polypro	120V AC 50/60 Hz	5 Watts

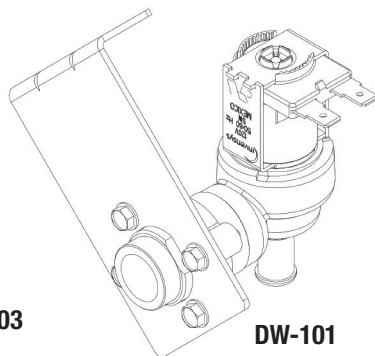
PRODUCT DRAWINGS



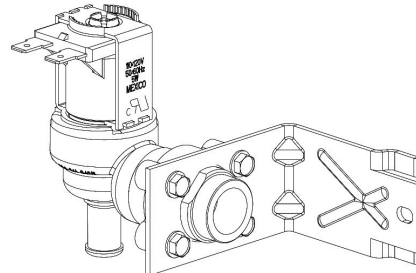
CB-826



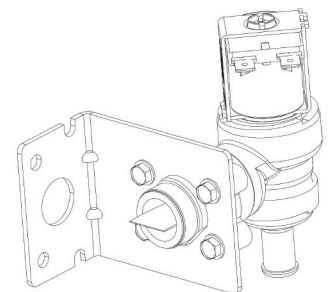
DW-003



DW-101



DW-345



DW-534