



The Robertshaw® KSI Series Infinite Switch is a current sensitive rotary switch. A current sensitive switch must be matched to the specific wattage of the heating element. A KSI switch controls the power dissipated by a heating element. It is used on electric ranges, hot plates, warming drawers and zones, barbecue grills, space heaters, quartz heaters and many applications which call for proportionate control of a resistive load.

Features and Benefits

- Small compact design
- Single outputs
- New and improved mounting
- Double line break
- Clockwise or counterclockwise rotation
- Variety of shaft lengths and configurations
- Push-To-Turn (PTT)

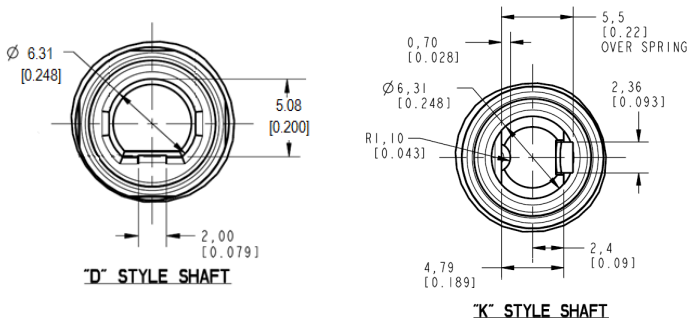
Specifications

- Agency Certification Numbers: UL File #E29143, CSA LR 36461
- Voltage Ratings: 120V AC (1800 watt Max rating), or 240V AC (3600 watt rating)
- Ambient Rated for Intermittent or Continuous Duty
 - 125°C (257°F) with 13 amp load or 100°C (210°F) with 15 amp load
 - Wattage range 100 watts to 3600 watts at 240V AC
- Available in Single Load output
 - The total wattage up to 3600 watt max
- Pilot Light switching is available in an isolated version or a version with one phase combined internally
 - 0.5 amps max Pilot switch current

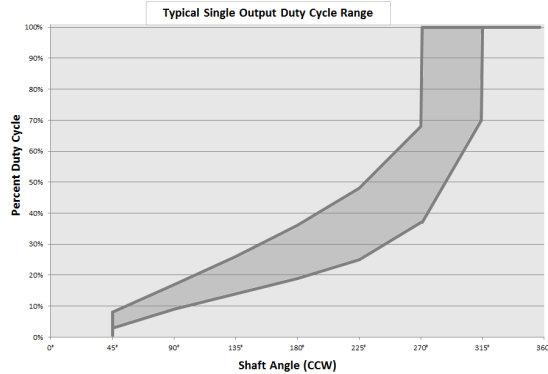
- Standard Calibration for Low (Simmer), Duty Cycle of 2% - 9% at 45° arc rotation from Off
- Simmer options of 1 to 5% available
- Operation styles available:
 - Push-to-Turn
 - Non-Push-to-Turn
 - CW direction from Low to High Duty Cycle
 - CCW direction from Low to High Duty Cycle
- Double Line Break versions are standard, with Single Phase switching also available
- Full 360° degree dial rotation is standard

Product Drawings

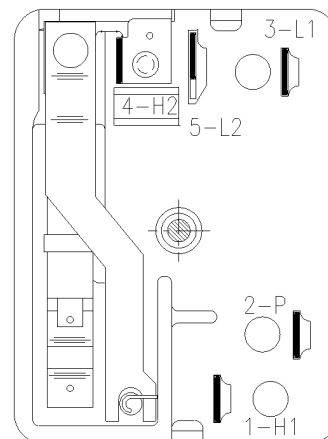
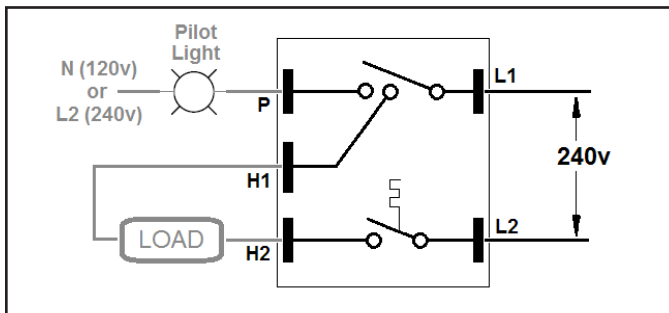
Knob Shaft Styles



Duty Cycle Output Curves



Electrical Schematics



(Back of Switch is shown)