

TORK®

1109A MULT-VOLTAGE ELECTROMECHANICAL ON/OFF TIMER

NEW



1109A

The Tork® 1109A - Same ON/OFF Times Each Day is designed for residential and commercial use for a variety of loads required to be turned on and off during a 24-hour cycle when operation is required at the same time everyday. The timer allows your appliance, air conditioner, water heater, lighting and pumps to automatically turn on and off the same time everyday. Helping you save energy and money, while adding convenience.

Features and Benefits

- One timer replaces many
- 120/208-277V AC multi-voltage
- Scheduling: Minimum ON is setting 20 minutes with a minimum OFF setting of 75 minutes. Dial accommodates up to 12 pairs of trippers. One pair included
- Manual Override: Until the next regularly scheduled ON or OFF automatic operation then resumes
- Standards: Listed UL/CSA 60730
- Enclosed Motor: Protects gears for extended life

Contact Ratings

- General Purpose: 120/208-277V AC 40A
- Resistive: 120/208-277V AC 40A
- Tungsten: 120V AC 40A
- Ballast: 120/208-277V AC 20A
- Electronic Ballast (LED): 120/208-277V AC 16A
- Pilot Duty: 120V AC 1000VA, 240V AC 2000VA
- Motor: 120V AC 2HP, 240V AC 5HP
- Short Circuit Rating: 5KA
(when protected by a Class T Fuse Rated 60A)

Applications

- On/Off Air Defrost
- Refrigeration
- Heating
- Air-Conditioning
- Pumps/Fans/Ventilation
- Lighting

Replacement Information

1109A replaces these current competitors and TORK models.

Robertshaw®		Replaces		
NEW TORK Part #	Description	Tork	Intermatic	Supco
1109A	Multi-Volt Timer 120/208-277V AC SPST/DPDT Indoor ALL-IN-ONE	1101B	T101	ST101
		1102B	T102	ST102
		1103B	T103	ST103
		1104B	T104	ST104
	GM40AV			

1 Year
Limited
Warranty



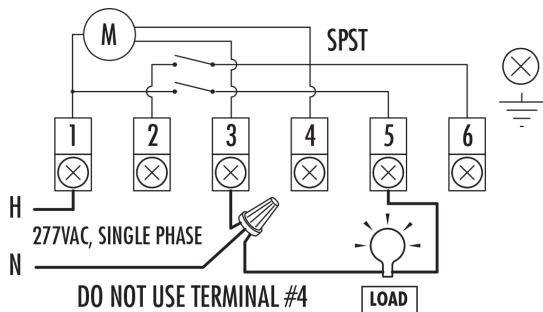
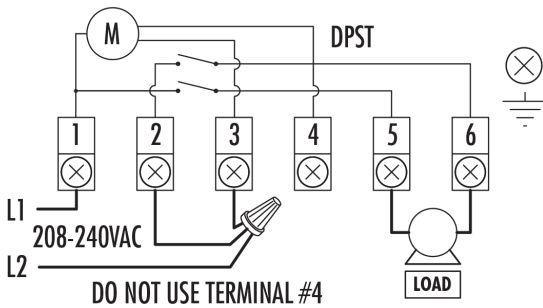
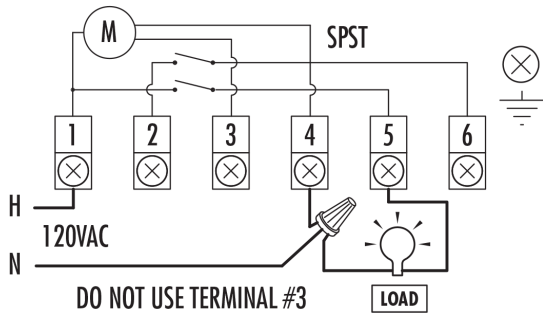
TORK®

1109A MULT-VOLTAGE ELECTROMECHANICAL ON/OFF TIMER

Specifications

Timing Accuracy	Input Voltage	Terminal Range	Operating Temperature	Power Consumption	Enclosure
Line Frequency	120/208-277V AC, 50/60Hz	#8 - #14AWG	-40°F to 149°F (-40°C to 65°C).	3 Watts Max	Metal Indoor NEMA 1. Suffix -0 Metal Indoor/Outdoor NEMA 3R. All with lockable hasp.

Wiring Diagrams



Enclosure

